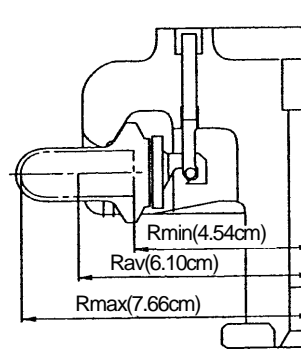


Carefully read the centrifuge instruction manual and the rotor instruction manual before using the rotor.

### S55S Swing rotor

Max. speed 55,000 rpm  
 Max. R.C.F. 259,000 × g  
 Rotor nominal capacity 8.8mL=4 × 2.2mL  
 k factor 44



#### (1) Summary of tubes

Tube				Space cap or Crown		Maximum speed (rpm)	Maximum R.C.F. (× g)
Part No.	Name	Size (φ × L cm)	Net capacity (mL)	Part No.	Name		
S300536A	2.2 PA Tube	1.1×3.4	2.2	-----	-----	55,000	259,000
S300538A	2.2 PET Tube	1.1×3.4	2.2	-----	-----	55,000	259,000
S300535A	1 PC Tube	1.1×3.4	1.4	-----	-----	55,000	259,000

#### (2) Standard accessories

Part No.	Name	Q'ty
S300536A	2.2 PA Tube	2 (50pcs/box)
8062214	O-ring	8
474215	Cap spanner	1
S301310A	Bucket stand	1
452701	Tweezers	1
Common accessories of all rotors (see Appendix)		1

#### (3) Separation characteristics table

Speed (rpm)	Max. R.C.F.(×g)			k factor
	Rmin (4.54cm)	Rav (6.10cm)	Rmax (7.66cm)	
10,000	5,080	6,820	8,560	1,325
15,000	11,400	15,300	19,300	539
20,000	20,300	27,300	34,300	331
25,000	31,700	42,600	53,500	212
30,000	45,700	61,400	77,100	147
35,000	62,200	83,500	105,000	108
40,000	81,200	109,000	137,000	83
45,000	103,000	138,000	173,000	65
50,000	127,000	170,000	214,000	53
55,000	154,000	206,000	259,000	44