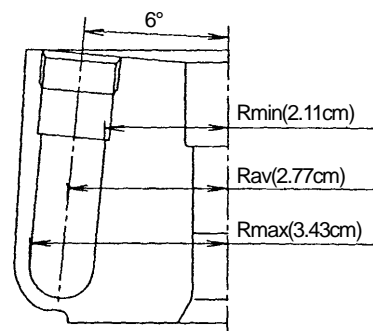


**Carefully read the centrifuge instruction manual and the rotor instruction manual before using the rotor.**

### S140NT Neo-angle rotor

Max. speed 140,000 rpm  
 Max. R.C.F. 752,000 × g  
 Rotor nominal capacity 16.0mL=8 × 2.0mL  
 k factor 6



#### (1) Summary of tubes

Tube				Space cap or Crown		Maximum speed (rpm)	Maximum R.C.F. (× g)
Part No.	Name	Size (φ × L cm)	Net capacity (mL)	Part No.	Name		
S300540A	2 PA Seal tube	1.1×3.1	1.8	S406695	Space cap (A2)	140,000	752,000

#### (2) Standard accessories

Part No.	Name	Q'ty
S300540A	2 PA Seal tube	2 (50pcs/box)
S406695	Space cap (A2)	8
S402985	O-ring	16
S407157	Tube setter	1
S406341A	Handle C	1
Common accessories of all rotors (see Appendix)		1

NOTE : When using Seal tubes, the following optional accessories are required.

- 2 PA Seal tube
- (a) 901325 STF3 Tube sealer ..... 1
- (b) S201778F Tube rack (G) ..... 1

#### (3) Separation characteristics table

Speed (rpm)	Max. R.C.F.(×g)			k factor
	Rmin (2.11cm)	Rav (2.77cm)	Rmax (3.43 cm)	
10,000	2,360	3,100	3,830	1,231
20,000	9,440	12,400	15,300	308
30,000	21,200	27,900	34,500	137
40,000	37,700	49,500	61,400	77
50,000	59,000	77,400	95,900	49
60,000	84,900	111,000	138,000	34
70,000	116,000	152,000	188,000	25
80,000	151,000	198,000	245,000	19
90,000	191,000	251,000	311,000	15
100,000	236,000	310,000	383,000	12
110,000	285,000	375,000	464,000	10
120,000	340,000	446,000	552,000	9
130,000	399,000	523,000	648,000	7
140,000	462,000	607,000	752,000	6